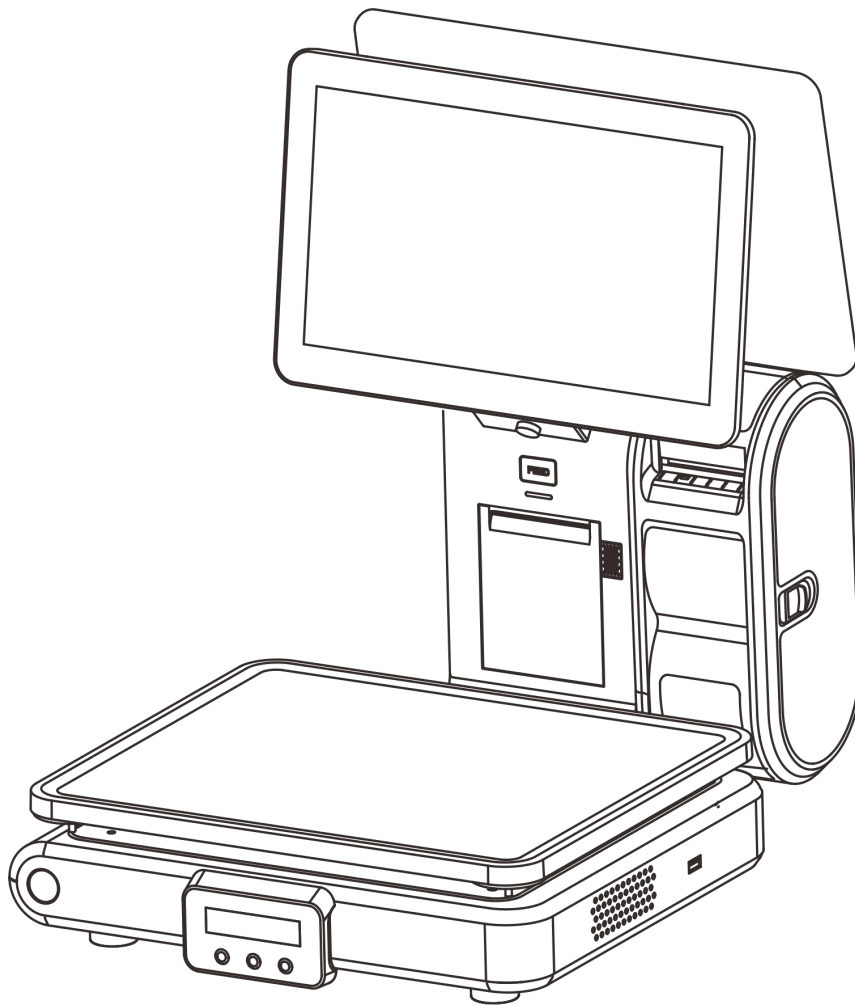


Electronic Cash Scale

AURORA PC Series





Contents

Introduction	2
1. Specification of PC scale register	3
2. Standard configuration of PC scale register	4
3. PC scale installation steps	4
3.1 Assembly step	4
3.2 The installation of the thermal receipt paper	5
4. Overall Appearance	6
4.1 Front view	6
4.2 Rear view	6
5. Common easy-to-use operations	7
5.1 Switch on and off	7
5.2 Weight display	7
5.3 Communication Interface	8
5.4 PC scale interface	8
6. Troubleshooting of PC scale register	10
6.1 Crash or fail to start	10
6.2 The main display screen or customer display screen does not display or the display screen is blurred	10
6.3 The touch screen cannot be used or is not sensitive	11
6.4 Unable to print	11
6.5 Unable to weigh properly (please contact the After-sales Service) ...	11
7. Appendix Comparison Table of Gravitational Acceleration Corrected Value	12



Introduction

Thank you for choosing our PC Scale. In order to operate PC Scale correctly, User manual is detailed in function and operation method of PC Scale, which help user with doubt quickly when come up against mechanical fault .

Rongta research, develop, produce and sale the PC Scale independently, which is high-performance PC Scale.

PC Scale is the best choice for user in label printing business line with fashion appearance, power function and high durable, which make PC scale more popular in store ,fresh food supermarket ,farmers market and so on.

Note : this product information are subject to change without prior notice.

This information is for reference only. In addition to China's existing laws and regulations, the company does not undertake any due to the direct or indirect losses caused by use of this information.

The company reserves the final interpretation.

1. Specification of PC scale register

- The Weighing range and accuracy:

Max weight: 15kg

Max weight: 30kg

Min weight: 40g

Min weight: 100g

0kg to 6kg * 0.002kg (e=2g)

0kg to 15kg * 0.005kg (e=5g)

6kg to 15kg * 0.005kg (e= 5g)

15kg to 30kg * 0.01kg (e= 10g)

- The accuracy grade: (III)

- Resolution

Input sensitivity: greater than or equal to 50 μ V/D

zero-point adjustment range: \pm 60mV

temperature coefficient: \pm 0.0012%CTYP

[Zero] \pm (0.2 μ V+0.0008% of Dead Load)/ $^{\circ}$ CTYP

Nonlinearity: 0.01%F.S.

A/D resolution: Max 30000 resolution

Display resolution: 1/3000

A/D conversion rate: 10 times/second

- Regular:

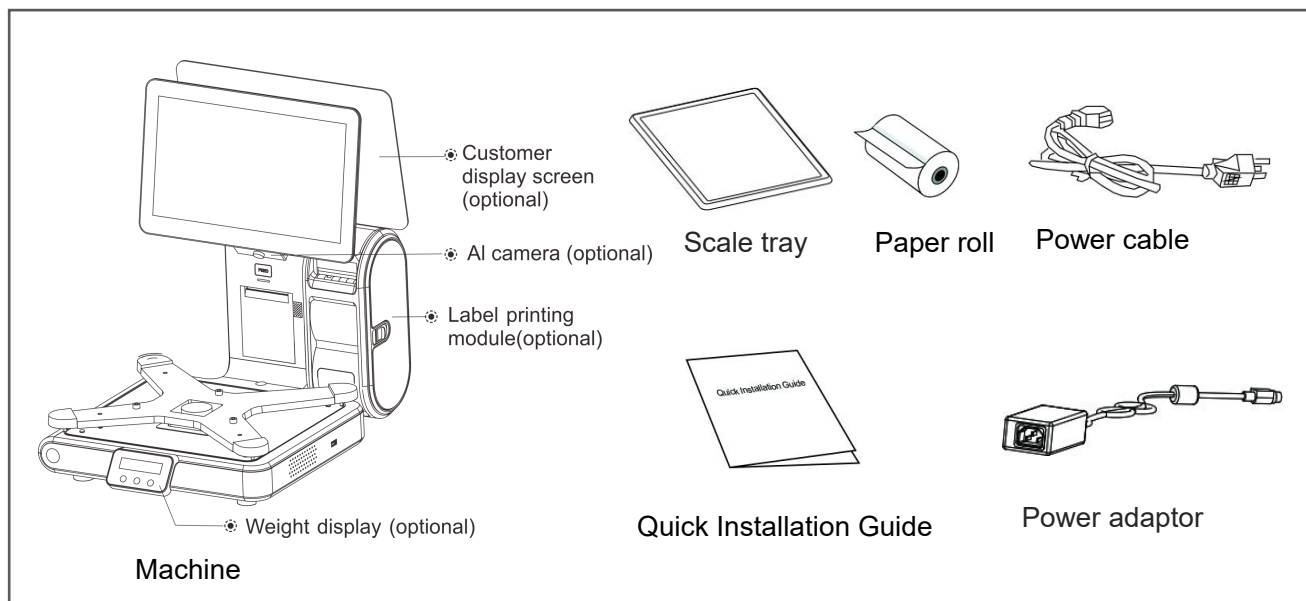
Power supply: DC12V 5A

Power consumption: Printing 60W(MAX)

operating temperature: 0 $^{\circ}$ C-40 $^{\circ}$ C

Physical appearance: 372 \times 450 \times 500mm

2. Standard configuration of PC scale register



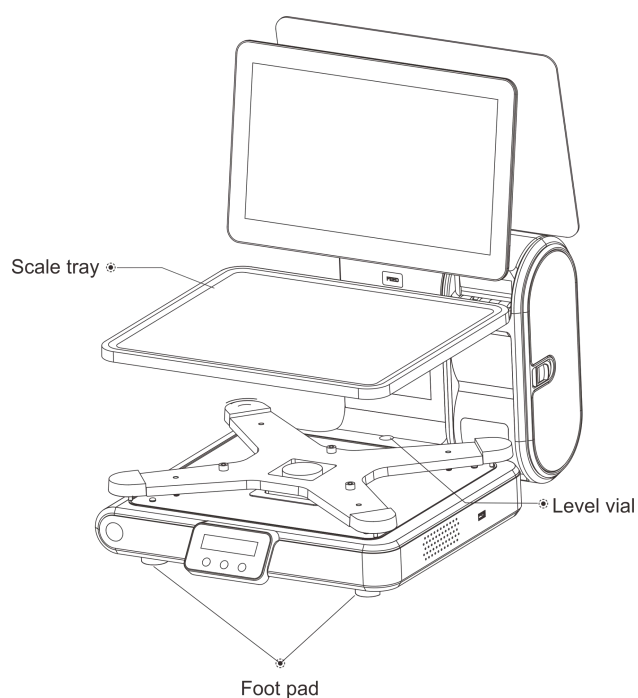
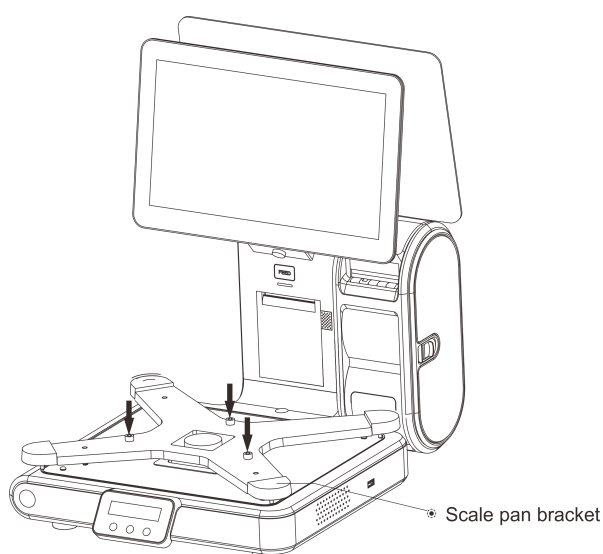
☺ The pictures of AURORA PC series and derivative models (main screen, customer display, small screen, label module, etc. are optional) are for reference only, and the actual product shall prevail.

3. PC scale installation steps

3.1 Assembly step

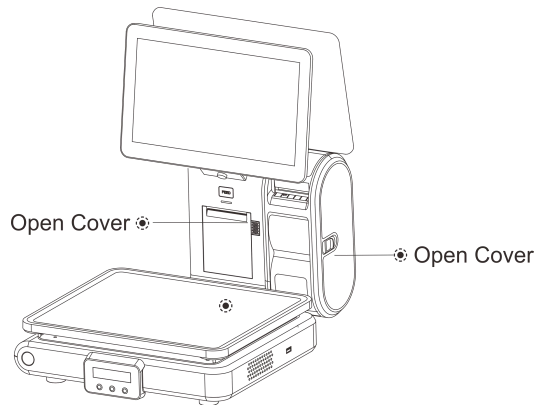
1. Place the scale in a level and stable place and remove the three transport protection screws from the scale pan bracket.

2. Observe the level vial, Adjust the feet to make the level tool inside the little circle, Place the scale pan horizontally on the scale body.

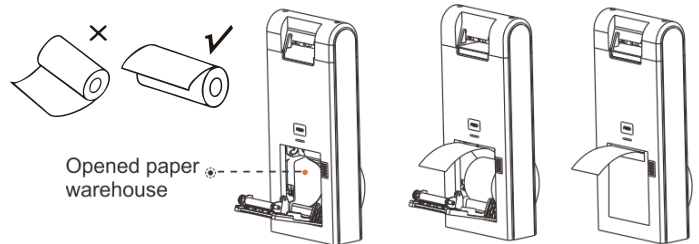


3.2 The installation of the thermal receipt paper

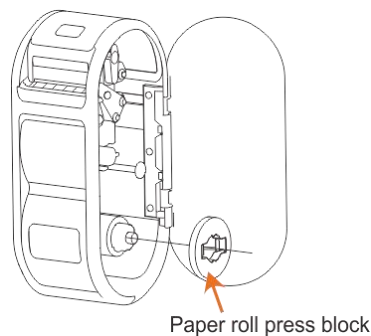
- Pull the Open Cover to open the paper warehouse.



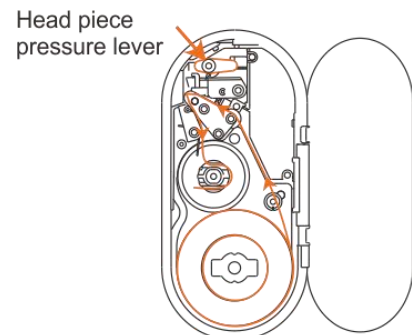
- Put the paper roll into the paper warehouse as shown in the figure
- Close the cover of the printer, press upward gently until the cover closed with a "click" sound.



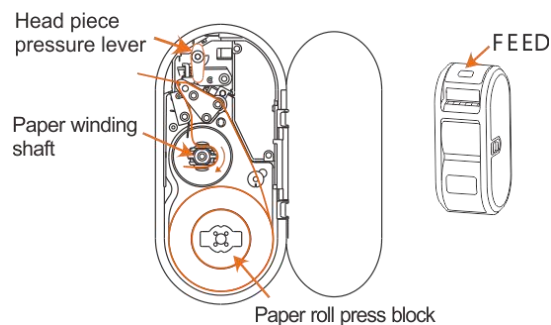
- Open the side cover, remove the paper roll press block



- Unscrew the head piece pressure lever and load paper as shown in the figure.(There are decorative paper tips in the module)

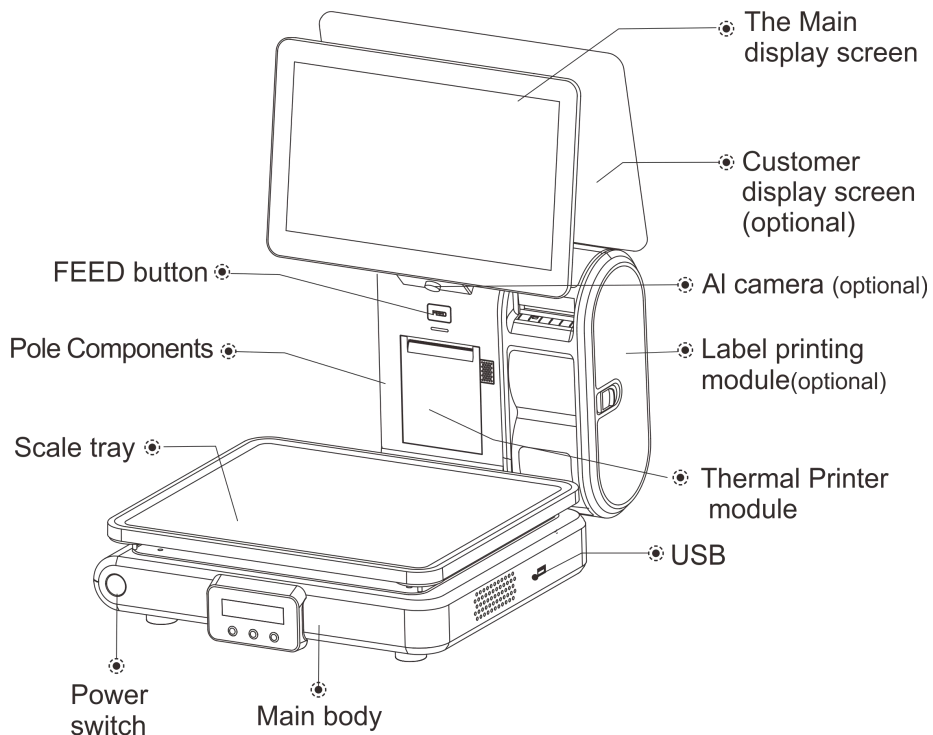


- Close the paper roll press block, tighten the paper winding shaft, screw the head piece pressure lever, close the side cover of printer, Long press the FEED button until the light flashes and then let go.

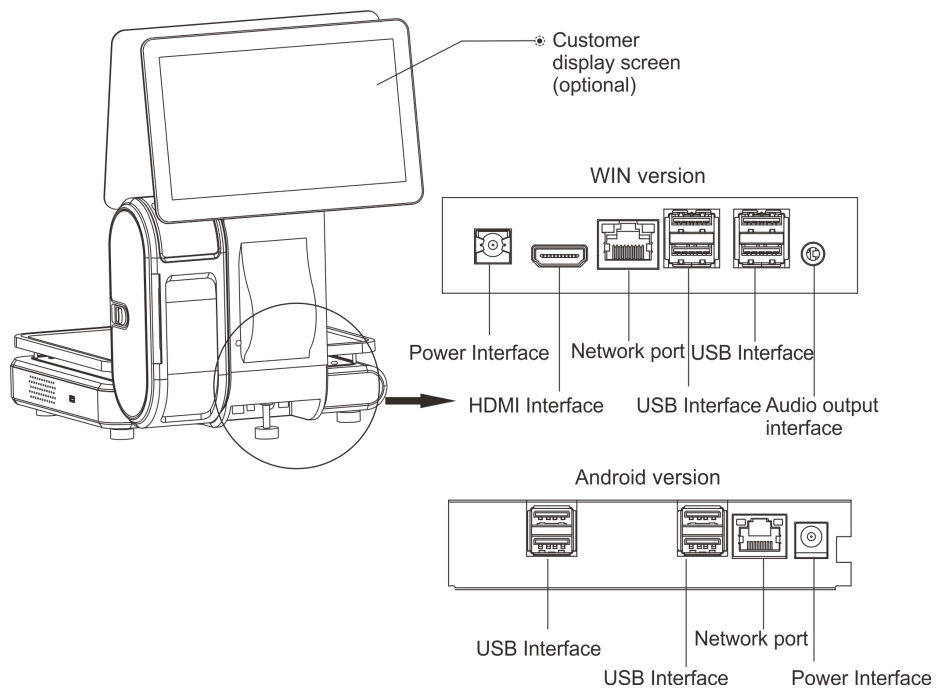


4. Overall Appearance

4.1 Front view



4.2 Rear view

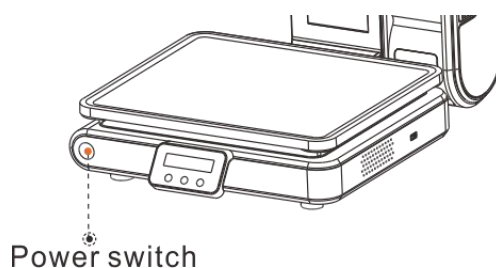


5. Common easy-to-use operations

5.1 Switch on and off

Hard disk switch:

After connecting power supply, long press the black POWER button on the front of PC scale register for 3s until the display is turned on. After entering the normal operation screen, the program will automatically run and perform self-test counting to verify whether the CRC is correct. If verification fails, the scale cannot work normally.



⚠ Attention: Under self-test situation, please do not press any button and make sure nothing is on the scale, otherwise it can't work normally

Soft disk switch on/off:

Touch [Power Off] in the system or Please switch on the power button, then press the button [ON/OFF] for 3 seconds.

5.2 Weight display



Key Description

Tare: This operation is only for products need to be packaged, such as eggs, beans, etc. There are two methods which are suitable for package and goods separated & package and goods non-separated.

Zero: Press the Zero key to zero the scale. (Note: more than 300g can not be reset to zero)

Reset: Used to restart the weighing module.

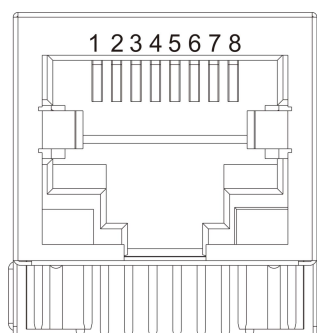
5.3 Communication Interface

The factory communication interface of the product is fixed at ttysWK2 and cannot be changed through other software. Communicating through other interfaces is also not supported.

5.4 PC scale interface

5.4.1 Ethernet interface

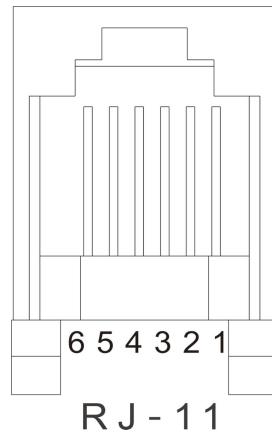
The Ethernet interface socket of PC scale is standard RJ45-8P, it supports 10M/100M network, and the transmission speed is adaptive.



Pin number	Description	Illustration
1	TX+	Send differential line+
2	TX-	Send differential line-
3	RX+	Receive differential line+
4	NC	No function
5	NC	No function
6	RX-	Receive differential line-
7	NC	No function
8	NC	No function

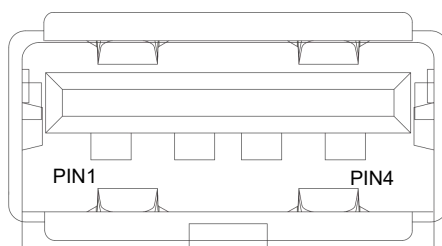
5.4.2 Cashbox Interfaces of Printers

The cashbox interface of the printer adopts RJ-11 standard, 6-wire socket, and outputs DC 12V/1A power signal to drive the cashbox. Insert the RJ-11 crystal connector of the cashbox into the cashbox interface to open the cashbox through the printer.



Pin number	Signal	Description
1	GND	Power supply ground
2	Dk1	Negative pole of cashbox 1#
3	DK-1N	Start detection
4	PWR	Positive pole of power supply/cashbox
5	Dk2	Negative pole of cashbox 2#
6	GND	Power supply ground

5.4.3 USB interface



PIN	SIGNAL NAME
1	VCC
2	D-
3	D+
4	GND

6. Troubleshooting of PC scale register

6.1 Crash or fail to start

- Reasons:
- a. Power board error
 - b. Power line and interface error
 - c. Main board error

- Solutions:
- a. Re-plug the power line
 - b. Press the [Power] button for 3 seconds. If the printer indicator is off, it means the power board is abnormal; otherwise, the main board is abnormal

6.2 The main display screen or customer display screen does not display or the display screen is blurred

- Reasons:
- a. Screen line error
 - b. Poor contact of screen line connector
 - c. The display screen is damaged, or the main board is damaged

- Solutions:
- a. Reconnect the screen line aerial connector and confirm that the line sequence is correct
 - b. Re-plug the screen line connector
 - c. If it still fails, it may be caused by screen damage or main board damage



6.3 The touch screen cannot be used or is not sensitive

Reasons: a. Display cable error.
b. Display driver error.

Solutions: a. Reconnect the screen line aerial connector and confirm that the line sequence is correct
b. Reinstall the correct driver

6.4 Unable to print

Reasons:

- a. Print wire error.
- b. The driver is not installed correctly.
- c. Print board error.

Solutions:

- a.If the printer indicator is off after turned on, it means the wires are defective.
- b.Reinstall the correct driver.
- c.When booting, press and hold the FEED button to print a self-test

page

6.5 Unable to weigh properly (please contact the After-sales Service)

Reasons: The main board or AD board fails, sensor fails, or CRC check fails.

Solutions : Please contact with us, we will provide you new version AD boardprogram or weighing software.

7. Appendix Comparison Table of Gravitational Acceleration Corrected Value

COUNTRY	CITY	G(m/sec ²)	COUNTRY	CITY	G(m/sec ²)
Greece	Athens	9.800	Scotland	Glasgow	9.816
South	Cape town	9.796	Spain	Madrid	9.800
Netherland	Amsterdam	9.813	Singapore	Singapore	9.781
Norway	Oslo	9.815	Argentina	Buenos Aires	9.797
New	Auckland,NZ	9.799	United	London,Greenw	9.812
New	Wellington,NZ	9.801	Australia	Melbourne	9.800
Taiwan	Taichung	9.789	Australia	Sydney	9.797
Taiwan	Taiwan	9.788	Italy	Milano	9.806
Taiwan	Taipei	9.790	Italy	Rome	9.803
Denmark	Copenhagen	9.815	India	Calcutta	9.788
Germany	Fankfurt	9.810	Japan	Tokyo	9.798
Mexico	Mexico City	9.779	Canada	Ottawa	9.806
U.S.A	Birmingham	9.813	Canada	Vancouver,BC	9.809
U.S.A	Chicago	9.803	Cuba	Havana	9.788
U.S.A	Los Angles	9.796	Kuwait	Kuwait	9.795
U.S.A	New York	9.802	Cyprus	Nicosia	9.797
U.S.A	San Francisco	9.800	Thailand	Bangkok	9.783
U.S.A	Washington,DC	9.784	Portugal	Lisbon	9.801
Belgium	Brussels	9.811	France	Paris	9.809
Brazil	Rio de Janeiro	9.786	Finland	Helsinki	9.819
Sweden	Stockholm	9.818	Philippines	Manila	9.784
Switzerlan	Zurich	9.807			
COUNTRY	CITY	G(m/sec ²)	COUNTRY	CITY	G(m/sec ²)
Greece	Athens	9.800	Scotland	Glasgow	9.816
South	Cape town	9.796	Spain	Madrid	9.800
Netherland	Amsterdam	9.813	Singapore	Singapore	9.781
Norway	Oslo	9.815	Argentina	Buenos Aires	9.797
New	Auckland,NZ	9.799	United	London,Greenw	9.812
New	Wellington,NZ	9.801	Australia	Melbourne	9.800
Taiwan	Taichung	9.789	Australia	Sydney	9.797
Taiwan	Taiwan	9.788	Italy	Milano	9.806
Taiwan	Taipei	9.790	Italy	Rome	9.803
Denmark	Copenhagen	9.815	India	Calcutta	9.788
Germany	Frankfurt	9.810	Japan	Tokyo	9.798
Mexico	Mexico City	9.779	Canada	Ottawa	9.806
U.S.A	Birmingham	9.813	Canada	Vancouver,BC	9.809
U.S.A	Chicago	9.803	Cuba	Havana	9.788

- It should be handled by person in our company or dealers if want to adjust acceleration of gravity



Rongta Technology (Xiamen) Group Co., Ltd.

ADD: No.88, Tonghui South Road, Tongan, Xiamen, China.

WEB: www.rongtatech.com

TEL: 0086-592-5666129 FAX: 0086-592-5659169

